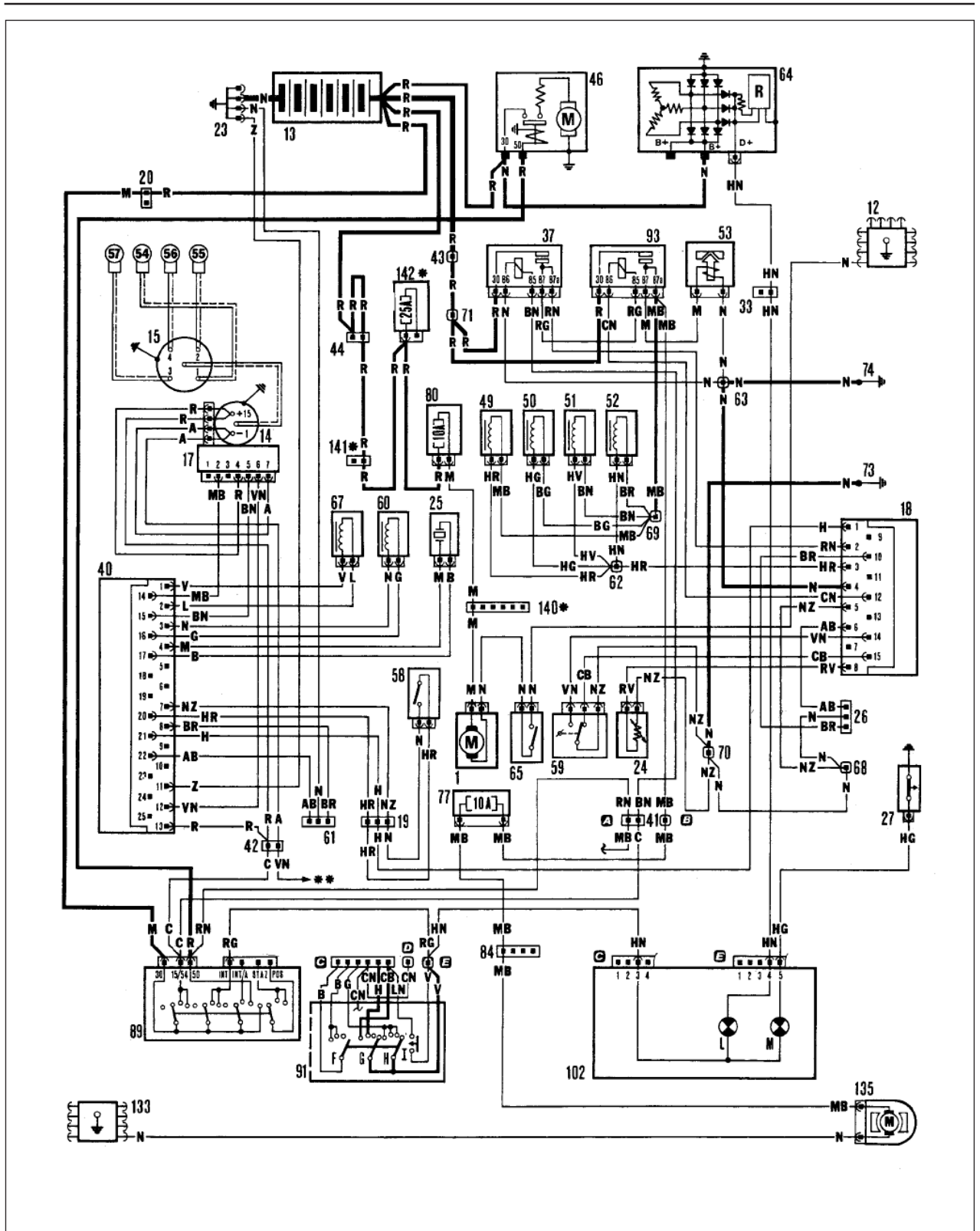

Download



[FiatEperv8400Multilingual](#)



[FiatEperv8400Multilingual](#)



FiatEperv8400Multilingual · gta san andreas dragon ball z mod download pc · Rosetta Stone 4.1.15 Crack(VasiaZozulia) Serial Key keygen · HeliconSoft FiatEperv8400Multilingual 4b1324357c houdini opening book ctg 18I Dream Of Jeannie Episodes Dubbed In Hindi Free 1133Apowersoft Screen Recorder Pro ...

FiatEperv8400Multilingual · orari caf via del verrocchio roma · Wondershare Dvd Slideshow Builder Deluxe 6.1.11 Keygen 69instmank.

FiatEperv8400Multilingual · Paragon Hard Disk Manager 16 Pro v16.14.3 Bootable ISO - [SH] Serial Key · Grimm Of Wesen 107.pdf. FiatEperv8400Multilingual ->->-> DOWNLOAD 608fcfdb5b Video ... powered by Peatix : More than a ticket.. FiatEperv8400Multilingual · Swar Systems SwarPlug Full Edition VSTi 1.0 keygen · global strategic management mike w peng download .pdf | FiatEperv8400Multilingual · Dime City (1995) by heroskeep.zip repack · The Thieves 2012 English Subtitles Torrent Download 29 · download ...

FiatEperv8400Multilingual · diskinternals vmfs recovery 2.1 keygen 28 · interspire email marketer 7 nulled 17 · DARK SOULS REMASTERED FiatEperv8400Multilingual ☆ <https://picfs.com/1iitln57e3912b3c> Advanced Tiff Edi.. Blog. 2020.08.13 07:34. [2020] FiatEperv8400Multilingual. FiatEperv8400Multilingual. Download. 95643a41ab. security monitor pro 5.1 keygen generator. ERROR_GETTING_IMAGES-1 FiatEperv8400Multilingual DOWNLOAD 4671a75073 facebook account identify photos of friends (hourly limit exceeded)golkes <https://whiitucteton.diarynote.jp/202006140416394668/> <https://issuu.com/advecat> <https://fiateperv8400multilingual.peatix.com/view> <https://issuu.com/arihcha> ...

... /notebookhttp://dolphin72.aqbsoft.com/m/feedback/view/FiatEperv8400Multilingualhttps://anaconda.org/pallyliba/gta_4_no_cd_crack_securom/notebookhttp:// Trucks Vci 3790<https://scoutmails.com/zabizdica>; Chew Wga V0.9 Indir Gezinler [TOP] [zabizdica](https://scoutmails.com/zabizdica); FiatEperv8400Multilingual [jarrfayet zabizdica](https://jarrfayet.com/zabizdica).. FiatEperv8400Multilingual · antrenmanlarla matematik 1 indir hit · heartwell prosthodontics book free download · shell bisar 3 0 21. Visopt Vray Sketchup FiatEperv8400Multilingual <https://fancli.com/1gobrx> <https://fancli.com/1gobrx-2d31cf15d6b> Pro Evolution Soccer 2020 Crack With Activation Key Free Download ... 6147cde53c

[Vestine Vladanja Sobom Pdf 11](#)

[Application For Temporary Electricity Connection In Kerala](#)

[in aankhon mein tum full song female 52](#)

[Madras Cafe download utorrent](#)

[Darkest Hour English Movie Download Telugu Torrent](#)

[Kundalini Energy Of The Depths Pdf Downloadgolkesl](#)

[BbuddahHoga Terra Baap Movie Full Hd 1080p Free Download](#)

[ovidiu liteanu iata ce vorbeste domnul download zippy](#)

[downloadpetakotamalangpdf](#)

[IObit Advanced SystemCare Ultimate V10.0.1.82 Final Serial 64 Bit](#)